



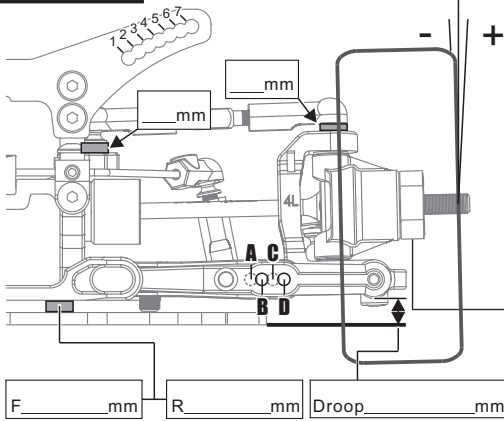
Setup Sheet



Name: _____ Date: _____ Event: _____

Track: _____ Track Condition: _____ Lap Time: _____ Final Position: _____

Front



Camber Angle +/- _____°

Front Diff Gear Spool

Caster Angle _____°

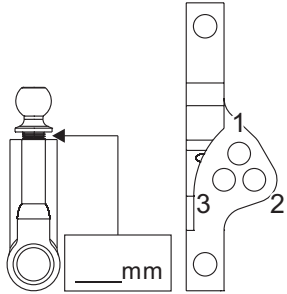
Diff Oil # _____

Ride Height _____mm

Sway Bar Ø _____mm

Wheel Hubs _____mm

Spacer _____mm



Shocks

Shock Oil # _____

Piston

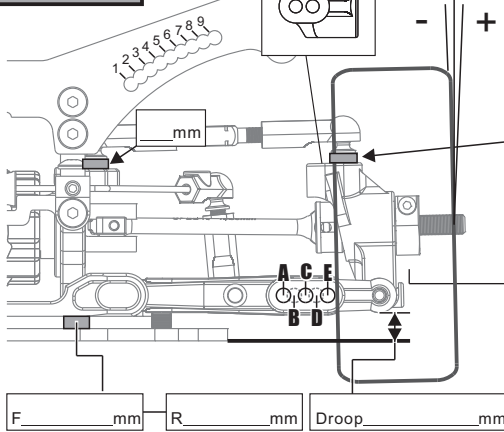
O-ring _____

Rebound _____

Spring _____

Length _____mm

Rear



Camber Angle +/- _____°

Rear Diff Oil # _____

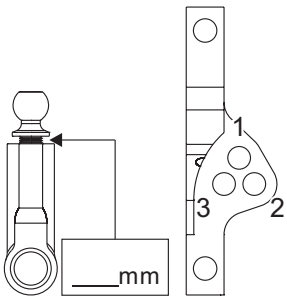
Ride Height _____mm

Shim _____mm

Sway Bar Ø _____mm

Wheel Hubs _____mm

Spacer _____mm



Shocks

Shock Oil # _____

Piston

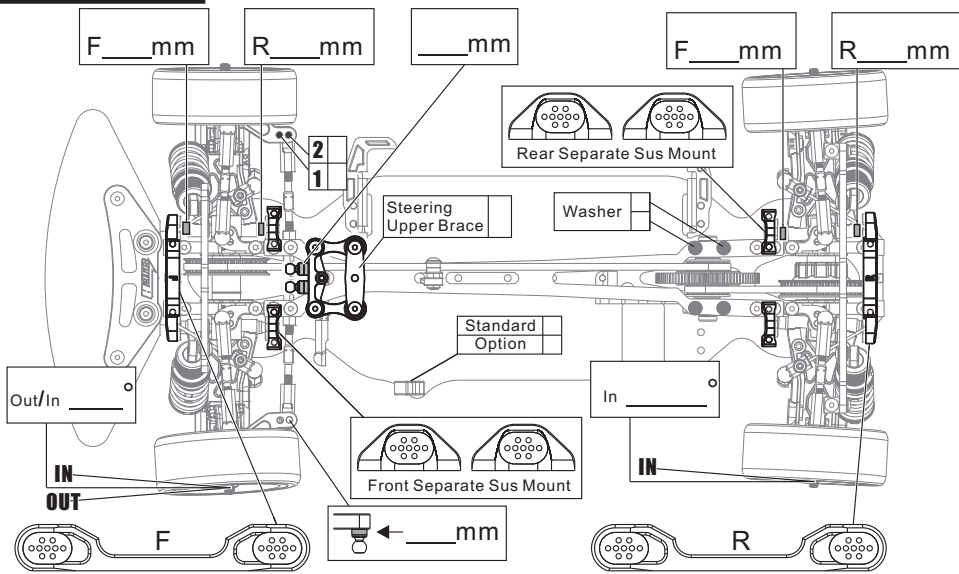
O-ring _____

Rebound _____

Spring _____

Length _____mm

Chassis



Tires

Brand: _____

Compound: _____

Insert: _____

Wheel: _____

Others

Motor: _____

Spur Gear: _____

Pinion Gear: _____

Battery: _____

ESC: _____

Body: _____

Wing: _____

Note: _____